



basic education

Department:
Basic Education
REPUBLIC OF SOUTH AFRICA

**SENIOR CERTIFICATE/
NATIONAL SENIOR CERTIFICATE**

GRADE 12

MATHEMATICAL LITERACY P2

ADDENDUM

NOVEMBER 2020

This addendum consists of 5 pages with 4 annexures.



ANNEXURE A

QUESTION 2.1

TABLE 2: MARKING TEAM, HOURS WORKED, TARIFFS AND AMOUNT CLAIMED FOR MARKING AND MODERATION

	NUMBER OF PERSONS	HOURS WORKED PER PERSON	TARIFF (R/hr)	AMOUNT (R) CLAIMED PER PERSON
Chief moderator (CM)	1	79	244,35	...
Internal moderator (IM)	1	79	244,35	...
Senior moderator	5	A	211,75	13 763,75
Markers	23	52	195,50	10 166,00
TOTAL	30	-

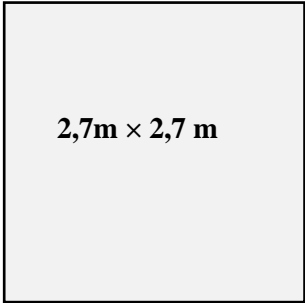
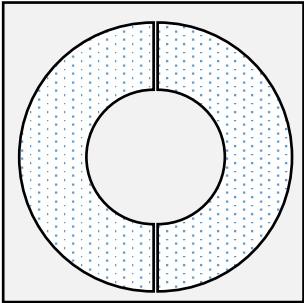
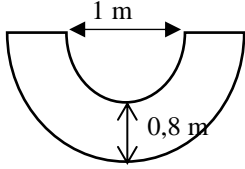
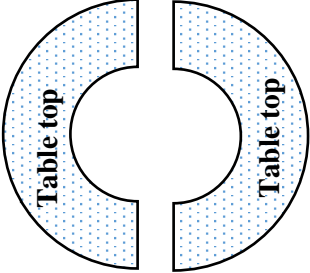


ANNEXURE B

QUESTION 2.2

TABLE WITH A SEMICIRCULAR TOP



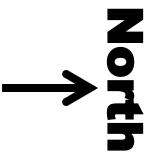
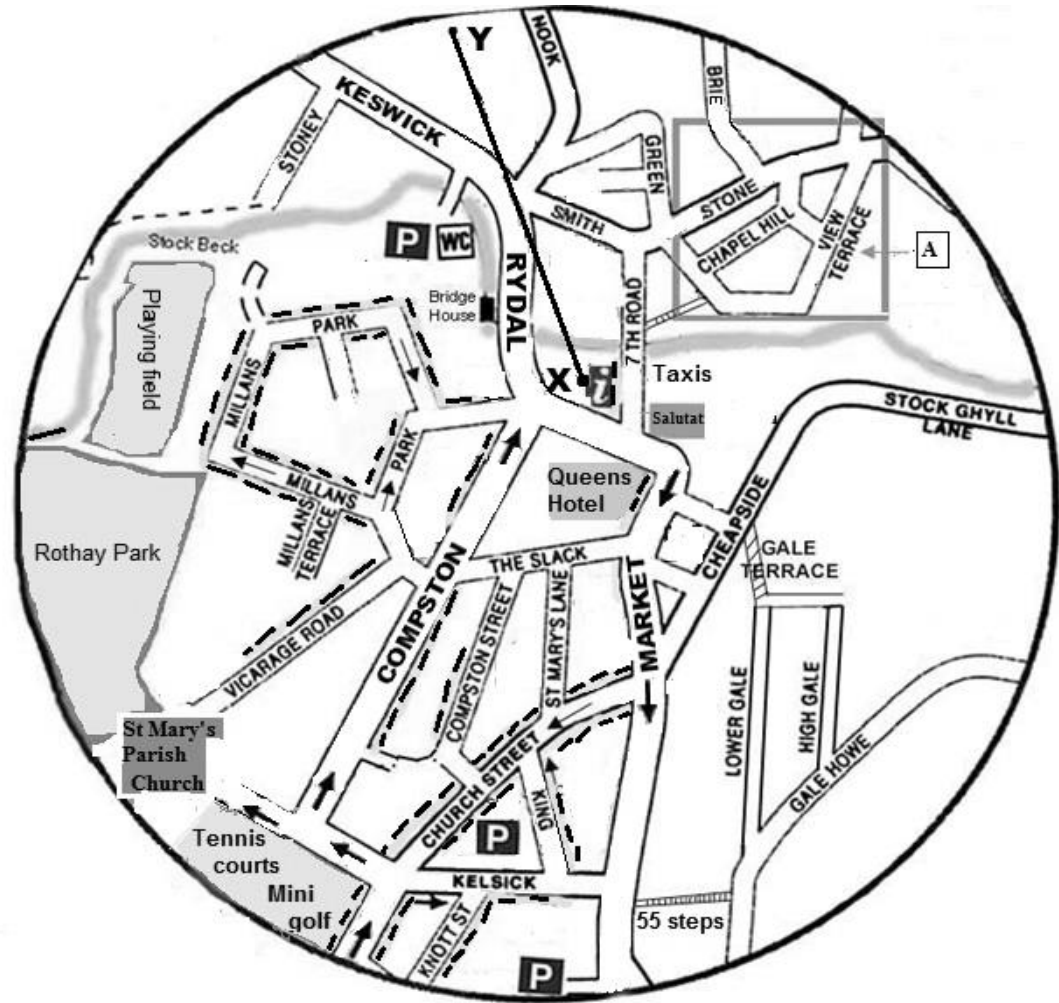
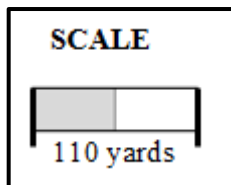
<p>SQUARE BOARD WITH SIDE 2,7 m</p>	<p>TWO SEMICIRCULAR- SHAPED TOPS CUT FROM A SQUARE BOARD</p>	<p>DIMENSIONS OF THE TABLE TOP (NOT DRAWN TO SCALE)</p>
<div style="text-align: center;">  <p>$2,7\text{m} \times 2,7\text{ m}$</p> </div> <p>with a thickness of 38 mm</p>	<div style="text-align: center;">  </div>	<div style="text-align: center;">  </div>
	<div style="text-align: center;">  </div>	

ANNEXURE C

QUESTION 3.2

MAP OF AMBLESIDE TOWN CENTRE

KEY:	
	Information
	Parking in this area is not allowed
	Maximum 1 hour free parking before 5 pm
	Public car park



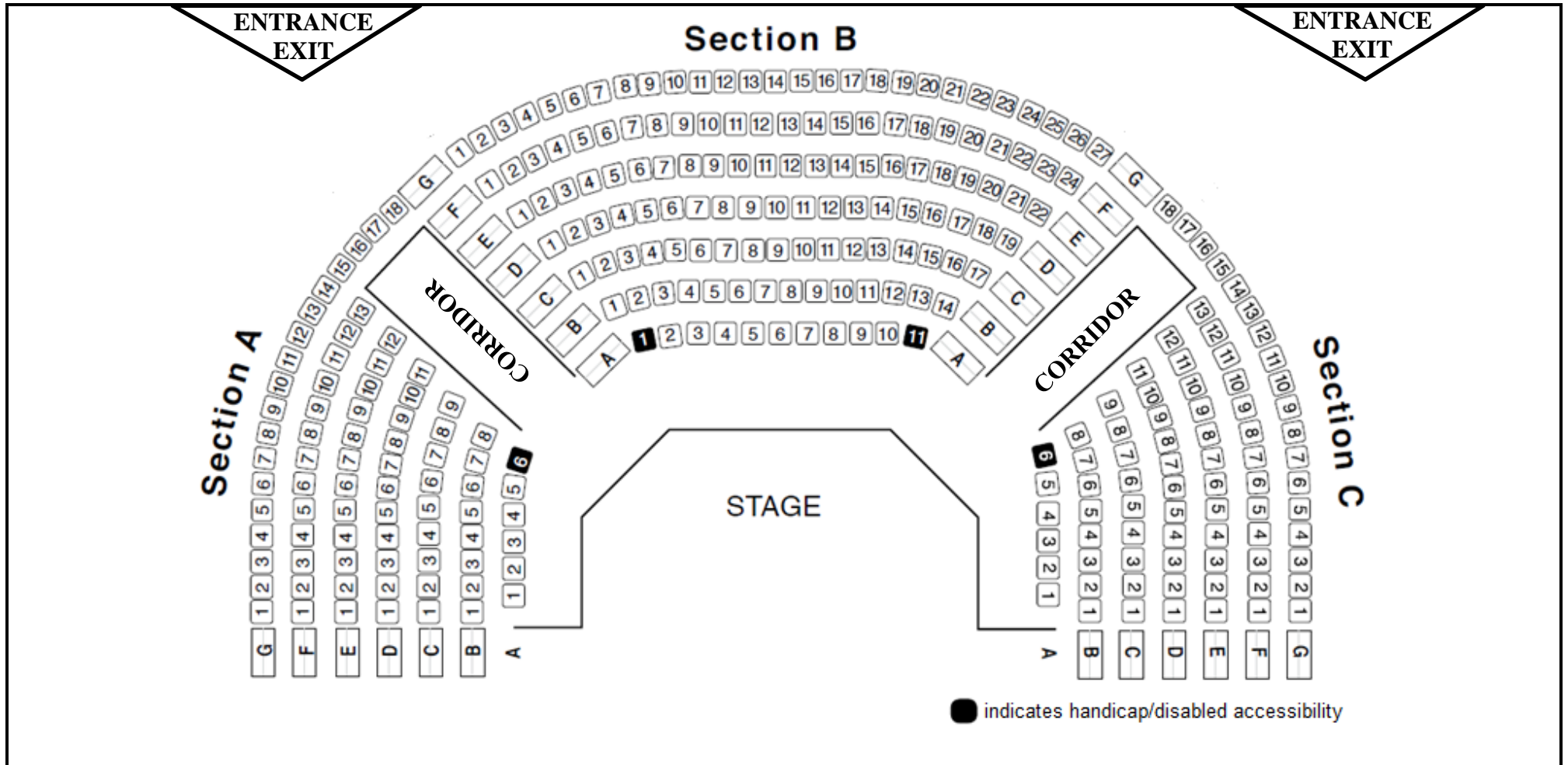
[Adapted from amblesideonline.co.uk]



ANNEXURE D

QUESTION 4.1

SEATING PLAN OF LAWRENCE THEATRE IN AUSTRALIA WITH A SEATING CAPACITY OF 288



[Source: wp.theatrelawrence.com]

